

# CR2-X (BAR PRO)

PREMIUM DESKTOP PC SOUNDBAR WITH BLUETOOTH®

**OWNER'S MANUAL**



## Important Safety Instructions

1. Read these instructions.
2. Keep these instructions.
3. Heed all warnings.
4. Follow all instructions.
5. Do not use this apparatus near water.
6. Clean only with a dry cloth.
7. Do not block any ventilation openings.  
Install in accordance with the manufacturer's instructions.
8. Minimum distance (5 cm) around the apparatus for sufficient ventilation.
9. Do not install near any heat sources such as radiators, heat registers, stoves, or other apparatus (including amplifiers) that produce heat.
10. No naked flame sources, such as lighted candles, should be placed on the apparatus.
11. This device should be installed and operated with minimum distance 20cm between the radiator & your body.
12. Protect the power cord from being walked on or pinched particularly at plugs, convenience receptacles, and the point where they exit from the apparatus.
13. Only use attachments/accessories specified by the manufacturer.
14. Use only with a cart, stand, tripod, bracket, or table specified by the manufacturer, or sold with the apparatus. When a cart is used, use caution when moving the cart/apparatus combination to avoid injury from tip-over.
15. Unplug this apparatus during lightning storms or when unused for long periods of time.
16. Refer all servicing to qualified service personnel. Servicing is required when the apparatus has been damaged in any way, such as power-supply cord or plug is damaged, liquid has been spilled or objects have fallen into the apparatus, the apparatus has been exposed to rain or moisture, does not operate normally, or has been dropped.
17. This apparatus shall not be exposed to dripping or splashing, and no object filled with liquids, such as vases or beer glasses, shall be placed on the apparatus.
18. Do not overload wall outlets and extension cords as this can result in a risk of fire or electric shock.
19. Explanation of symbol, marking, signal lamp or similar means indicates that the apparatus is completely disconnected from the mains.
20. **WARNING:** Please refer to the information on exterior bottom enclosure for electrical and safety information before installing or operating the apparatus.
21. **NOTE:** This equipment has been tested and found to comply with the limits for a Class B digital device, pursuant to part 15 of the FCC Rules. These limits are designed to provide reasonable protection against harmful interference in a residential installation. This equipment generates, uses, and can radiate radio frequency energy and, if not installed and used in accordance with the instructions, may cause harmful interference to radio communications. However, there is no guarantee that interference will not occur in a particular installation. If this equipment does cause harmful interference to radio or television reception, which can be determined by turning the equipment off and on, the user is encouraged to try to correct the interference by one or more of the following measures:
  - Reorient or relocate the receiving antenna.
  - Increase the separation between the equipment and the receiver.
  - Connect the equipment into an outlet on a circuit different from that to which the receiver is connected.
  - Consult the dealer or an experienced radio/TV technician for help.



**CAUTION:** Changes or modifications to this device not expressly approved by LOUD Audio, LLC. could void the user's authority to operate the equipment under FCC rules.

22. This apparatus does not exceed the Class B limits for radio noise emissions from digital apparatus as set out in the radio interference regulations of the Canadian Department of Communications.

Canada ICES-003(B)/NMB-003(B)

**ATTENTION** — *Le présent appareil numérique n'émet pas de bruits radioélectriques dépassant les limites applicables aux appareils numériques de class B prescrites dans le règlement sur le brouillage radioélectrique édicté par les ministere des communications du Canada.*

23. This device complies with Part 15 of the FCC Rules [and contains license-exempt transmitter(s)/receiver(s) that comply with Innovation, Science and Economic Development Canada's license-exempt RSS(s)]. Operation is subject to the following two conditions:
  - (1) this device may not cause harmful interference, and
  - (2) this device must accept any interference received, including interference that may cause undesired operation.

L'émetteur/récepteur exempt de licence contenu dans le présent appareil est conforme aux CNR d'Innovation, Sciences et Développement économique Canada applicables aux appareils radio exempts de licence. L'exploitation est autorisée aux deux conditions suivantes:

- (1) l'appareil ne doit pas produire de brouillage, et
- (2) l'appareil doit accepter tout brouillage radioélectrique subi, même si le brouillage est susceptible d'en compromettre le fonctionnement.

24. Operating Temperature: 0–45° C // 32–113° F

25. RF Power: <10dBm  
Bluetooth Version: 5.0  
Bluetooth frequency range: 2400 – 2483.5 MHz

25. Exposure to extremely high noise levels may cause permanent hearing loss. Individuals vary considerably in susceptibility to noise-induced hearing loss, but nearly everyone will lose some hearing if exposed to sufficiently intense noise for a period of time.  
The U.S. Government's Occupational Safety and Health Administration (OSHA) has specified the permissible noise level exposures shown in the following chart.

According to OSHA, any exposure in excess of these permissible limits could result in some hearing loss. To ensure against potentially dangerous exposure to high sound pressure levels, it is recommended that all persons exposed to equipment capable of producing high sound pressure levels use hearing protectors while the equipment is in operation. Ear plugs or protectors in the ear canals or over the ears must be worn when operating the equipment in order to prevent permanent hearing loss if exposure is in excess of the limits set forth here:

Duration, per day in hours	Sound Level dBA, Slow Response	Typical Example
8	90	Duo in small club
6	92	
4	95	Subway Train
3	97	
2	100	Very loud classical music
1.5	102	
1	105	The dogs barking at the mailman
0.5	110	
0.25 or less	115	Loudest parts at a rock concert

This equipment complies with FCC and ISED radiation exposure limits set forth for an uncontrolled environment. Este equipo cumple los límites de exposición a la radiación de la FCC e ISED establecidos para un entorno no controlado.

**CAUTION** – These servicing instructions are for use by qualified service personnel only. To reduce the risk of electric shock, do not perform any servicing other than that contained in the operating instructions unless you are qualified to do so.



**Correct disposal of this product:** This symbol indicates that this product should not be disposed of with your household waste, according to the WEEE directive (2012/19/EU) and your national law. This product should be handed over to an authorized collection site for recycling waste electrical and electronic equipment (EEE). Improper handling of this type of waste could have a possible negative impact on the environment and human health due to potentially hazardous substances that are generally associated with EEE. At the same time, your cooperation in the correct disposal of this product will contribute to the effective usage of natural resources. For more information about where you can drop off your waste equipment for recycling, please contact your local city office, waste authority, or your household waste disposal service.

## Contents

- Important Safety Instructions .....2
- Contents .....3
- Features .....3
- Introduction .....4
- Getting Started .....4
- Hookup Diagrams .....5
  
- CR2-X BAR PRO: Rear Panel Features .....7**
  - 1. Power Connector .....7
  - 2. Power Switch .....7
  - 3. To Sub .....7
  - 4. 1/8" Stereo Input Jack .....7
  - 5. USB I/O .....7
  
- CR2-X BAR PRO: Front Panel Features .....8**
  - 6. Phones Output .....8
  
- CR2-X BAR PRO: Right Side Features .....8**
  - 7. EQ Preset Switch .....8
  - 8. Input Selector Switch and LEDs .....8
  
- CR2-X BAR PRO: Top Side Features .....9**
  - 9. Volume .....9
  - 10. LED Color Selector .....9
- Bluetooth Connection .....9
- Appendix A: Service Information .....10
- Appendix B: Technical Information .....11
- CR2-X Bar Pro Dimensions .....11
- Magnitude Response Graph .....12
- Limited Warranty .....13

## Features

- BMR driver technology for room-filling sound**
  
- Capacitive touch Volume and Mute controls**
  
- Compact, stealthy design fits under your desktop display**
  
- Three tone presets – Music, Voice, Game**
  
- Integrated selectable RGB LED lighting**
  
- Three inputs – USB-C, 1/8" Aux, and Bluetooth® 5.0**
  
- Subwoofer output with jack detection**
  
- Subwoofer crossover mode**
  
- Headphone output**

Please write the serial numbers here for future reference (i.e., insurance claims, tech support, return authorization, make dad proud, etc.)

**Purchased at:**

**Date of purchase:**



Part No. SW1404 Rev. B 02/23

©2023 LOUD Audio, LLC. Alright Alright All Rights Reserved.

## Introduction

CR2-X Bar Pro brings massive sound in a compact, stealthy design that fits right under your desktop display.

Innovative BMR full-range drivers provide room-filling, crystal-clear sound without the disadvantages of traditional, bulkier 2-way speakers.

Featuring 3 tone presets, you can tailor CR2-X Bar Pro to sound how you want with the push of a button.

Use it as your soundcard via USB or go wireless with Bluetooth® plus it's got a stereo Aux input for virtually any device with a headphone output.

Easy to use touch controls for volume and mute plus integrated selectable RGB LED lighting complete your sleek desk look.

From gaming to movies to music, CR2-X Bar Pro is the desktop audio upgrade you've been looking for.

### How to Use This Manual:

After this introduction, a getting started guide will help you get things set up fast. The hookup diagrams show some typical setups, while the remaining sections provide details of the CR2-X Bar Pro.



This icon marks information that is critically important or unique to the CR2-X Bar Pro. For your own good (and our peace of mind), please read and remember them. You will be quizzed later.



There's an illustration of a microscope, so, of course, you're going to get more detailed information when you see this little guy. There are explanations of features and practical tips listed here.



It's a good idea to pay attention to text displayed next to a note icon, as this icon draws attention to certain features and functions relating to the usage of the CR2-X Bar Pro.

## Getting Started

We realize that you can't wait to hook up your CR2-X Bar Pro and try it out. Nevertheless, please take the time to read this page **NOW**, and the rest can wait until you're good and ready.

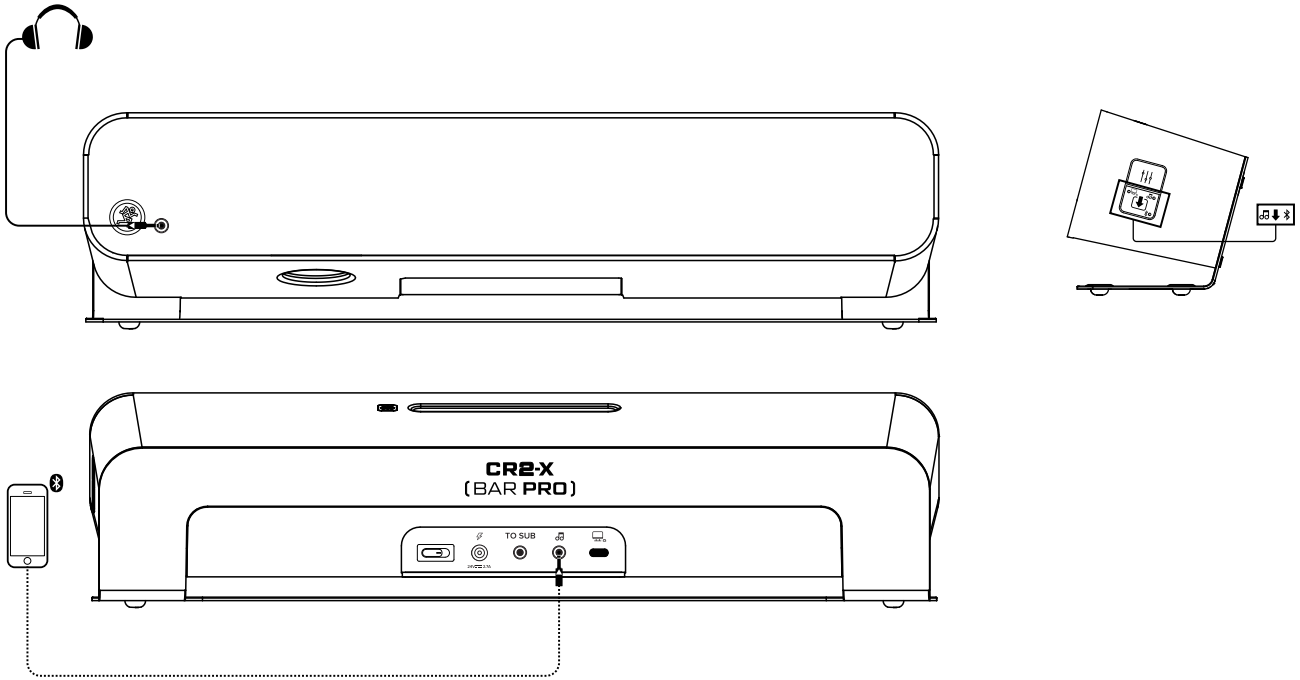
1. Connect one end of the external power supply to the CR2-X Bar Pro and plug the other end into an AC outlet.
2. Push the included line cord securely into the CR2-X Bar Pro's power connector and plug the other end into an AC outlet.
3. Connect the line-level monitor signal from your computer or other line-level signal source to the input jacks (USB-C or 1/8").  
...AND / OR...  
...Connect your device via Bluetooth [instructions on page 9]...
4. Power up the CR2-X Bar Pro.
5. Confirm that the input selector switch has the correct input selected.
6. Play an audio file and slowly raise the input and output volumes to a comfortable listening level.

If you desire a more thorough walk-through of the CR2-X Bar Pro, there is a wealth of information in the following pages!

### Additional Tidbits of Wisdom

- Never listen to loud music for prolonged periods. Please see the Safety Instructions on page 2 for information on hearing protection.
- Save the sales receipt and original packaging in case you ever need warranty service.

## Hookup Diagrams



This is a typical use for CR2-X Bar Pro. This would be a prime example of utilizing it to play music. First, make sure the CR2-X Bar Pro is positioned for your setup.

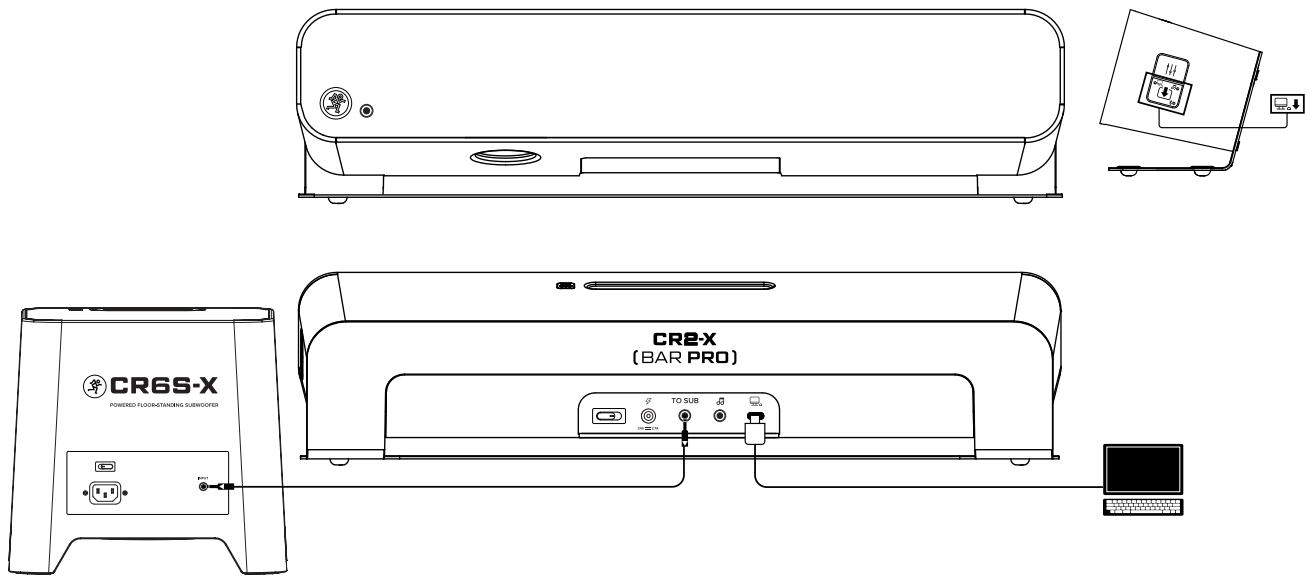
Here a phone is connected to CR2-X Bar Pro via Bluetooth, although it can also be “hardwired” into the 1/8” stereo input jack using an 1/8” to 1/8” cable. Both options are on display here.

Next, make sure that the input selector switch is set to either Bluetooth or 1/8” / Aux, depending on how the phone is connected, of course. Additionally, we would suggest setting the EQ preset switch to music.

Now play audio through the phone, making sure that the volume of the phone and CR2-X Bar Pro are above “0”. Once you hear audio, simply adjust volume to taste!

Optional: Is there someone who doesn’t like what you’re listening to? Well, first off, they’re wrong. That’s a given. There is a solution, though. Plugging a pair of Mackie headphones into the 1/8” headphones jack auto-defeats the speaker output. The top panel volume slider then controls the level going to the phones.

Hookup Diagrams continued...



The illustration above shows another typical use for CR2-X Bar Pro. This would be a prime example of utilizing it for gaming. First, make sure the CR2-X Bar Pro is positioned for your setup.

A gaming computer is connected to CR2-X Bar Pro utilizing a USB-C to USB-A cable.

Next, make sure that the input selector switch is set to USB. Additionally, we would suggest setting the EQ preset switch to... <drum roll>... game, of course! You're gaming... or will be quite soon! Don't forget to change the output to 'CR2-X Bar Pro' via Settings on your computer

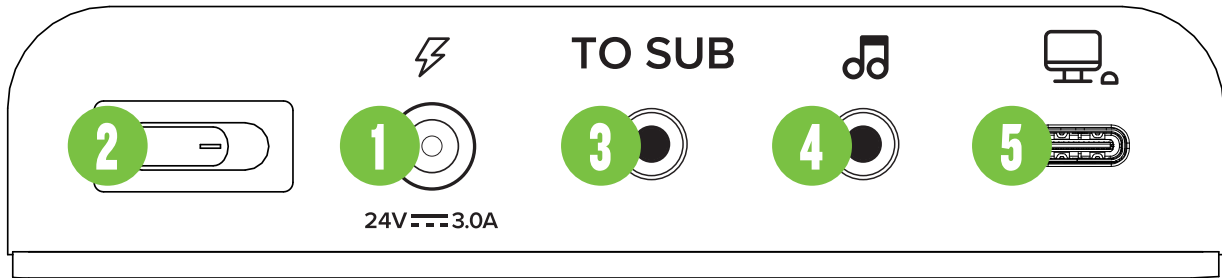
Now play audio through the computer, making sure that the volume of the computer and CR2-X Bar Pro are above "0". Once you hear audio, simply adjust volume to taste!

Optional: As shown above, a CR6S-X subwoofer is connected to the CR2-X Bar Pro's 1/8" TO SUB output jack. Just imagine what your games and movies would sound like with one of these setups. Now stop imagining and go dial it up!

Optional: Plugging a pair of Mackie headphones into the 1/8" headphones jack auto-defeats the speaker output. The top panel volume slider then controls the level going to the phones.

Gaming, Movies and More!

## CR2-X BAR PRO: Rear Panel Features



### 1. Power Connector

CR2-X Bar Pro has a universal external power supply that accepts any AC voltage ranging from 100 VAC to 240 VAC. No need for voltage select switches. It will work virtually anywhere in the world. That's why we call it a "Planet Earth" power supply! It is less susceptible to voltage sags or spikes compared to conventional power supplies, and provides greater electromagnetic isolation and better protection against AC line noise.

Attach the AC connector (the smaller, shorter cable that plugs into the wall) to the power supply adapter (the bigger, longer cable that plugs into the CR2-X Bar Pro).

The power supply adapter may be connected to the CR2-X Bar Pro by pushing it into the power receptacle on the rear panel and plugging the other end into a live AC outlet. The LED on the power supply will illuminate blue to indicate that it is receiving power.



Only use the factory-authorized power supply that came with the CR2-X Bar Pro.

### 2. Power Switch

Press the right side of this rocker switch inwards to turn on the CR2-X Bar Pro. The corner pieces on the front panel will illuminate green, confirming success. Additionally, it will state, "Power on. Bluetooth pairing mode." Press the left side of this rocker switch inwards to turn it off.

### 3. To Sub

Not much of a surprise here, as we would like you to connect this output to the input of a subwoofer using an 1/8" connector.



When connected, the CR2-X Bar Pro automatically shifts to sub mode, resulting in a roll-off of the low frequencies.

Of course, we would highly recommend the CR6S-X or CR8S-XBT subwoofer; see the hookup diagram on page 6 and check the Mackie website for more information!

### 4. 1/8" Stereo Input Jack

Connect a line-level signal from a smartphone, MP3 player or other signal source to this input jack using an unbalanced 1/8" connector.

It is wired as follows, according to standards specified by the AES (Audio Engineering Society):

#### Stereo 1/8" TRS

Sleeve = Shield (Ground)

Tip = Left Channel

Ring = Right Channel

### 5. USB I/O

Since the CR2-X Bar Pro is a "Premium Desktop PC Soundbar with Bluetooth<sup>®</sup>," the USB connection will (most likely) be one of the most widely used features. In short, it works as an interface that allows audio to stream from the CR2-X Bar Pro via computer.

This is the connection that will be used for gaming, watching movies and fun cat videos, playing music or just about any other sound that is emitted from your computer.

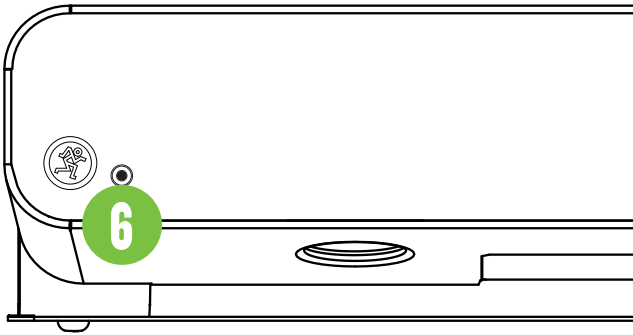
Connect the USB-C side of a USB cable to the CR2-X Bar Pro and the USB-A side to the computer's USB port.

Don't forget to change the output to 'CR2-X Bar Pro' via Settings on your computer.



CR2-X Bar Pro's USB connection is audio only. It is not a source of power.

## CR2-X BAR PRO: Front Panel Features



### 6. Phones Output

This 1/8" TRS connector supplies the output to stereo headphones. The volume is controlled with the volume slider on the top of the CR2-X Bar Pro. The signal to the power amp is killed when headphones are connected.

The phones output is wired as follows, according to standards specified by the AES (Audio Engineering Society):

#### Stereo 1/8" TRS

- Sleeve = Shield (Ground)
- Tip = Left Channel
- Ring = Right Channel



**Warning:** The headphone amp is loud and could cause permanent hearing damage. Even intermediate levels may be painfully loud with some headphones. **BE CAREFUL!**

Always turn the volume knob all the way down before connecting headphones. Then turn it up slowly as you listen carefully.

## CR2-X BAR PRO: Right Side Panel Features

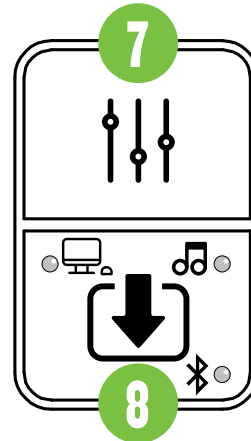
### 7. EQ Preset Switch

This is a momentary switch that cycles between unique EQ modes: Music, Voice and Game.

Simply press this switch to cycle between the EQ presets. A voice prompt announces which EQ is currently selected.

- **MUSIC EQ MODE** – This mode features an upper bass parametric scoop to reduce unwanted low frequency color and adds boost to upper mid-range and high frequencies.
- **VOICE EQ MODE** – This mode is perfect for applications where the desired output is increased clarity and detail of intelligible speech at low volumes. This is the setting for listening to audio books, watching TED talks and other motivational speeches.

- **GAME EQ MODE** – This mode is full range, but focuses on increased bass and brilliant high frequencies. This is the setting that gamers will want to select when saving the world from the zombie apocalypse.
- **À LA MODE** – This mode features any of the aforementioned EQ preset modes, but with a scoop of ice cream.



### 8. Input Selector Switch and LEDs

This is a momentary switch that cycles between the three input choices: USB, 1/8" and Bluetooth.

Simply press this switch to cycle between the input selections. Each input selection is accompanied by a different colored LED. A voice prompt announces which input is currently selected.

- **USB [Purple]** – More information on page 7.
- **1/8" / Aux [Amber]** – More information on page 7.
- **Bluetooth [Cyan]** – More information on page 9.



All inputs may be connected simultaneously, but only one input may be selected at a time. There are no issues when switching between sources.

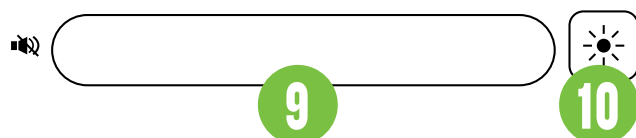
This includes a device connected via Bluetooth. Switching the source selection away from a connected device (Bluetooth) to USB or 1/8" / Aux and back again will not disrupt the Bluetooth connection, for example.



## CR2-X BAR PRO: Top Panel Features

### 9. Volume

Tap or slide your finger in this indented volume bar to adjust the overall output level. The left side is quieter and right side is louder. The accompanying LEDs centered underneath the front panel grille will illuminate white to display the volume level. Tapping (or sliding to) the far left side will mute the output. The front panel LED would then be a single red LED.



### 10. LED Color Selector

The four corner pieces on the front of the CR2-X Bar Pro illuminate to add a nice accent to your surroundings. This momentary switch cycles between the eight color choices. Simply press this switch to cycle between the color selections.



While there are eight different colors to choose from, it will load up Mackie green upon each power-up.



Is a CR6S-X subwoofer part of the setup? It, too, has four corner pieces that may be illuminated to match up with the CR2-X Bar Pro!

### Bluetooth Connection

Upon powering up the CR2-X Bar Pro, the Bluetooth function is either:

- (1) In sleep mode. See 'Pairing and connecting for the first time' or...
- (2) ...Paired and connected. See 'Previously paired and connected devices'.

#### **Pairing and connecting for the first time:**

Start by changing the input selector switch to Bluetooth. The accompanying LED will illuminate and flash cyan while in pairing mode. Additionally, a voice prompt announces "Bluetooth pairing mode". [The LED will continue to flash until it has successfully paired and connected].

While CR2-X Bar Pro is in pairing mode, simultaneously scan for Bluetooth devices on the device. You should see 'CR2-X Bar Pro' appear in the list of "available devices". Select it by tapping it. From there, your Bluetooth device should indicate that it is successfully connected, a confirmation voice prompt announces, "connected" and the Bluetooth button will stop flashing and remain solid cyan. If it does not, start the pairing process again, and make sure that the CR2-X Bar Pro and device are both in pairing mode at the same time.

#### **Previously paired and connected devices:**

The Bluetooth connection will disconnect if it's out of range. Previously paired and connected devices will automatically reconnect when back within range. Additionally, it will automatically search and connect to remembered devices in range upon powering up.



To drop the device from being paired with the CR2-X Bar Pro, press and hold the Bluetooth button down for at least three seconds. A voice prompt announces "Bluetooth disconnected".



The Bluetooth may disconnect when affected by Electrostatic Discharge [ESD]. Manually reconnect the Bluetooth connection.

## Appendix A: Service Information

If you think your CR2-X Bar Pro has a problem, please check out the following troubleshooting tips and do your best to confirm the problem. Visit the Support section of our website ([www.mackie.com/support](http://www.mackie.com/support)) where you will find lots of useful information such as FAQs and other documentation. You may find the answer to the problem without having to part with your CR2-X Bar Pro.

### Troubleshooting

#### No power

- Make sure the power cord is plugged all the way into the AC outlet.
- Our favorite question: Is it plugged in? Make sure the AC outlet is live [check with a tester or lamp].
- The internal AC line fuse may be blown. This is not a user serviceable part. If you suspect the AC line fuse is blown, please see the "Repair" section next.

#### No sound

- Is the level for the input source turned all the way down? Verify that all the volume controls in the system are properly adjusted.
- Is the signal source turned up? Make sure the signal level from the computer, mixer, MP3 player, phone (or whatever device immediately precedes the CR2-X Bar Pro) is high enough to produce sound.

#### Poor sound

- Is it loud and distorted? Make sure that you're not overdriving a stage in the signal chain. Verify that all level controls are set properly.
- Are the input connectors plugged completely into the jacks? Be sure all connections are secure.
- If possible, listen to the signal source with headphones plugged into the preamp stage. If it sounds bad there, it's not the CR2-X Bar Pro.
- Too much bass or not enough bass? The first (and easiest) suggestion is to switch between EQ modes to see if that solves the issue. If not, move around the room and see if the bass response changes. It's possible your listening position coincides with a room mode where the low frequencies either become exaggerated or nulled. If so, try moving the CR2-X Bar Pro to a different position, or moving your listening position.

#### Noise / Hum / Buzz

- Check the signal cable between the computer/mixer/MP3 player/phone and the CR2-X Bar Pro. Make sure all connections are secure. These problems usually produce crackling noises, hum, or buzz.
- Make sure the signal cable is not routed near AC cables, power transformers, or other EMI sources (including wall warts and line lumps!). These sources usually produce hum.
- Is there a light dimmer or other triac-based device on the same AC circuit as the CR2-X Bar Pro? Dimmers cause buzzing noises. Use an AC line filter or plug the monitor into a different AC circuit.
- Excessive hiss is an indication of an incorrect gain setting somewhere before the speaker.
- If possible, listen to the signal source with headphones plugged in. If it sounds noisy there, it's not the CR2-X Bar Pro.
- Try disconnecting the cable connected to the input jack. If the noise disappears, it could be a "ground loop," rather than a problem with the CR2-X Bar Pro. Try some of the following troubleshooting ideas:
  - Use balanced connections throughout your system for the best noise rejection.
  - Whenever possible, plug all the audio equipment's line cords into outlets which share a common ground. The distance between the outlets and the common ground should be as short as possible.

#### Bluetooth or Other Issues

- Please email or call Technical Support if you are having Bluetooth or any other issue not listed here:
  - o [mackie.com/support-contact](http://mackie.com/support-contact)
  - o 1-800-898-3211

### Repair

For warranty service, refer to the warranty information on page 13.

Non-warranty service is available at a factory-authorized service center. To locate the nearest service center, visit [www.mackie.com/support/service-locator](http://www.mackie.com/support/service-locator). Service for a CR2-X Bar Pro living outside the United States may be obtained through local dealers or distributors.

If you do not have access to our website, please call our Tech Support department at 1-800-898-3211 (normal business hours, Pacific Time), to explain the problem. They will tell you where the nearest factory-authorized service center is located in your area.

# Appendix B: Technical Information

## CR2-X BAR PRO Specifications

### Acoustic Performance

Frequency Response (-10 dB)	58 Hz – 20 kHz
Horizontal Coverage Angle	180°
Vertical Coverage Angle	180°
Maximum SPL Peak	103 dB
Dynamic Range	≥90 dB
Signal-to-Noise Ratio	≥90 dB
Monitor Angle	15°

### Transducers

High Frequency	2x 2.75 in / 70 mm Full-Range Transducers 2x Passive Radiators
----------------	---

### Amplifiers

Rated Power	60 watts peak
Design	Class D

### Input / Output

Input Type	1/8" / USB-C / Bluetooth
Output Type	1/8" Stereo Headphones 1/8" Stereo TRS (To Sub)

### Bluetooth Information

Bluetooth Protocol	5.0
Bluetooth Function	Audio Streaming

### Bit Depth / Sample Rate

Bit Depth	16-bit
Sample Rate	48 kHz

### Power Requirements

CR2-X BAR PRO	24Vdc, 2.7A
---------------	-------------

### Construction Features

Basic Design	Rectangular
Display LEDs	Four corner pieces on front grille Volume level on center of front grille
Operating Temperature	0 – 45 °C 32 – 113 °F

### Physical Properties

Height:	4.9 in / 124 mm
Width:	19.4 in / 492 mm
Depth:	4.8 in / 122 mm
Weight:	5.1 lb / 2.3 kg

### Disclaimer

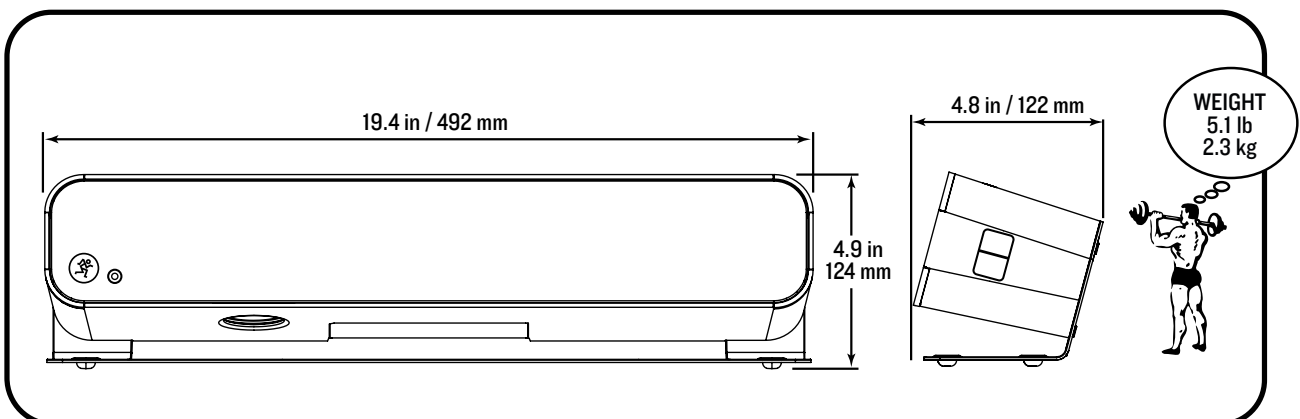
Since we are always striving to make our products better by incorporating new and improved materials, components, and manufacturing methods, we reserve the right to change these specifications at any time without notice.

The "Running Man" figure is a registered trademark of LOUD Audio, LLC.

All other brand names mentioned are trademarks or registered trademarks of their respective holders, and are hereby acknowledged.

©2023 LOUD Audio, LLC.  
All Rights Reserved.

## CR2-X Bar Pro Dimensions



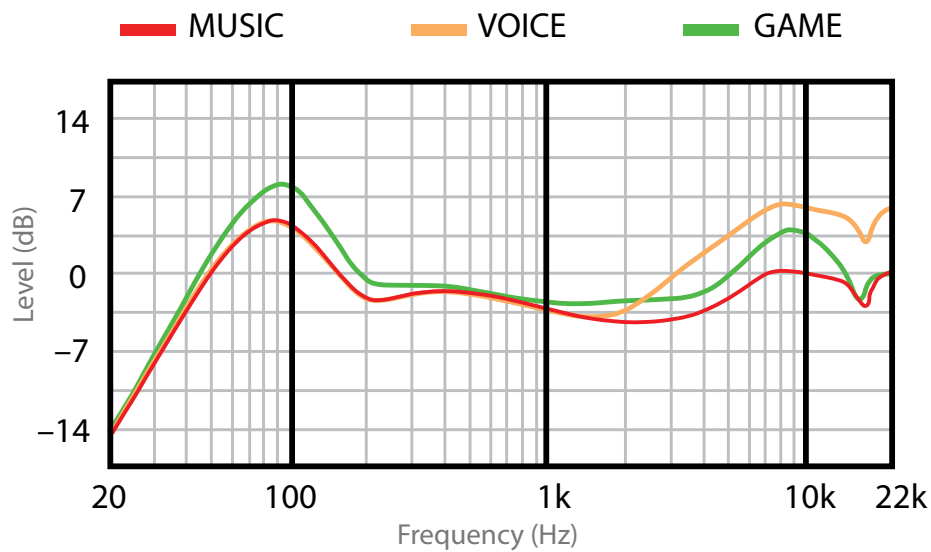
## CR2-X Bar Pro Magnitude Response Legend

**MUSIC EQ Mode** – This mode features an upper bass parametric scoop to reduce unwanted low frequency color and adds boost to upper mid-range and high frequencies.

**VOICE EQ Mode** – This mode is perfect for applications where the desired output is increased clarity and detail of intelligible speech at low volumes.

**GAME EQ Mode** – This mode is full range, but focuses on increased bass and brilliant high frequencies. This is the setting that gamers will want to select when saving the world from the zombie apocalypse.

## CR2-X Bar Pro Magnitude Response Graph



## Limited Warranty

### **Please keep your sales receipt in a safe place.**

This Limited Product Warranty ("Product Warranty") is provided by LOUD Audio, LLC ("LOUD") and is applicable to products purchased in the United States or Canada through a LOUD-authorized reseller or dealer. The Product Warranty will not extend to anyone other than the original purchaser of the product (hereinafter, "Customer," "you" or "your").

For products purchased outside the U.S. or Canada, please visit [www.mackie.com](http://www.mackie.com) to find contact information for your local distributor, and information on any warranty coverage provided by the distributor in your local market.

LOUD warrants to Customer that the product will be free from defects in materials and workmanship under normal use during the Warranty Period. If the product fails to conform to the warranty then LOUD or its authorized service representative will at its option, either repair or replace any such nonconforming product, provided that Customer gives notice of the noncompliance within the Warranty Period to the Company at: [www.mackie.com](http://www.mackie.com) or by calling LOUD technical support at 1.800.898.3211 (toll-free in the U.S. and Canada) during normal business hours Pacific Time, excluding weekends or LOUD holidays. Please retain the original dated sales receipt as evidence of the date of purchase. You will need it to obtain any warranty service.

For full terms and conditions, as well as the specific duration of the Warranty for this product, please visit [www.mackie.com](http://www.mackie.com).

The Product Warranty, together with your invoice or receipt, and the terms and conditions located at [www.mackie.com](http://www.mackie.com) constitutes the entire agreement, and supersedes any and all prior agreements between LOUD and Customer related to the subject matter hereof. No amendment, modification or waiver of any of the provisions of this Product Warranty will be valid unless set forth in a written instrument signed by the party to be bound thereby.

### **Need help with the CR2-X BAR PRO?**

- Visit [www.mackie.com/support](http://www.mackie.com/support) to find: FAQs, manuals, addendums, and other documents.
- Email us at: [www.mackie.com/support-contact](http://www.mackie.com/support-contact)
- Telephone 1-800-898-3211 to speak with one of our splendid technical support chaps (Monday through Friday, normal business hours, Pacific Time).



---

**19820 North Creek Parkway #201**

**Bothell, WA 98011 • USA**

**Phone: 425.487.4333**

**Toll-free: 800.898.3211**

**Fax: 425.487.4337**

**[www.mackie.com](http://www.mackie.com)**

---